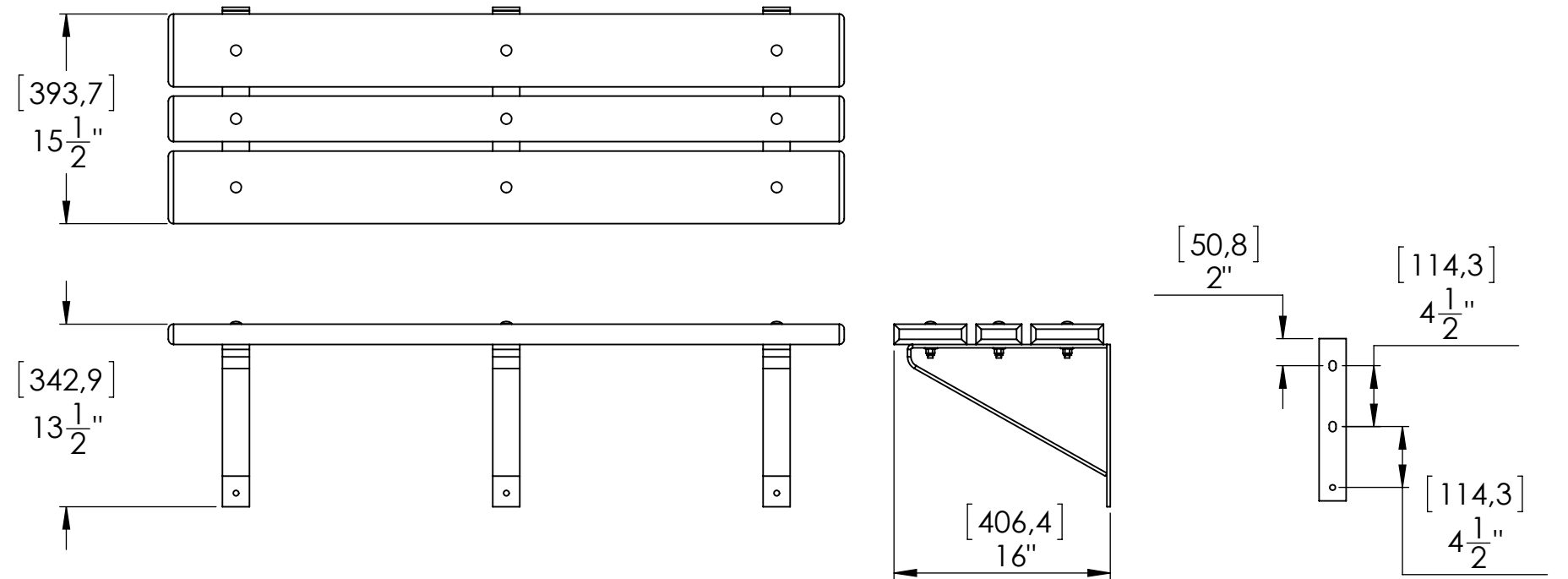
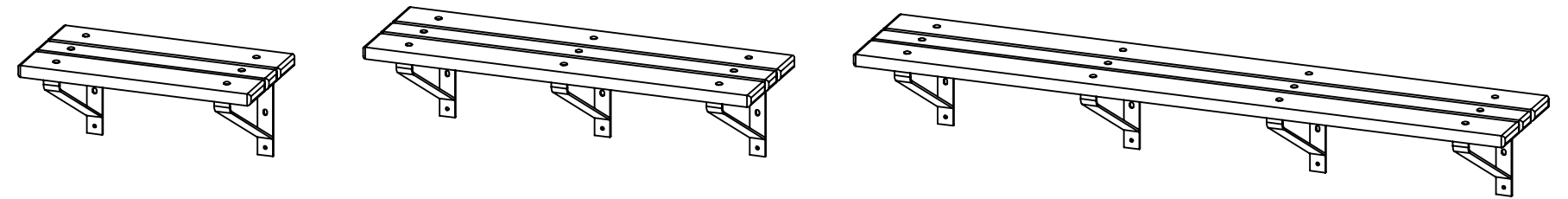


# SPECIFICATIONS

## WALL-MOUNTED BENCH

- SEAT IN RECYCLED PLASTIC (COLOR : SAND OR GRAY)
- WALL-MOUNT SUPPORT : PAINTED STEEL (POLYESTER POWDER, COLOR : LUSTER BLACK)
- STAINLESS STEEL HARDWARE
- WALL ANCHORS NOT INCLUDED
- 10-YEAR WARRANTY



| PRODUCT # | LENGTH  | # LEGS | DISTANCE BETWEEN LEGS | APPROX. WEIGHT |
|-----------|---------|--------|-----------------------|----------------|
| 68.1302   | 2 FEET  | 2      | 16"                   | 30 LBS         |
| 68.1303   | 3 FEET  | 2      | 28"                   | 40 LBS         |
| 68.1304   | 4 FEET  | 2      | 34"                   | 50 LBS         |
| 68.1305   | 5 FEET  | 3      | 26"                   | 65 LBS         |
| 68.1306   | 6 FEET  | 3      | 32"                   | 75 LBS         |
| 68.1307   | 7 FEET  | 3      | 33"                   | 85 LBS         |
| 68.1308   | 8 FEET  | 4      | 28"                   | 100 LBS        |
| 68.1309   | 9 FEET  | 4      | 32"                   | 110 LBS        |
| 68.1310   | 10 FEET | 4      | 36"                   | 120 LBS        |
| 68.1311   | 11 FEET | 4      | 40"                   | 130 LBS        |
| 68.1312   | 12 FEET | 4      | 42"                   | 140 LBS        |

**NORDESCO** inc  
WWW.NORDESCO.COM

|        |                     |  |                                 |   |
|--------|---------------------|--|---------------------------------|---|
| NOTES: | DRAWER :<br>MBusque |  | PRODUCT :<br>WALL-MOUNTED BENCH |   |
|        | VERIFICATION :      |  | ASSEMBLY :<br>N/A               | DRAWING :<br>68.130X                      |
|        | APPROVAL :          |  | N.B. :                          | QTY :<br>                                 |
|        | PAPER SIZE :<br>B   |  |                                 | DOCUMENT TYPE :<br>SPECIFICATIONS         |
|        |                     |  |                                 | PRODUCT NUMBER :<br>68.130X               |
|        |                     |  |                                 | PROJECT/CLIENT :<br># SEQUENTIAL :<br>N/A |